

The diaphragm gas meter is to use the differential pressure principle between inlet and outlet to impulse the diaphragms in the diaphragm boxes to do the to-and-fro movement. When the gas flow rate enters into the meter, it first be full of the space inside of the meter housings, from the rotary valve mouths due to the differential pressure, the gas will alternately enter into the different diaphragm boxes and realize the diaphragm boxes alternately charge and discharge. The movement of the rotary valve is transferred to the driving gear via the transmission mechanism and accumulate. The gas volume through the meter to index counter by the ratio calibration gears to realize the metrology of the gas meter.

With designing of independent measuring unit structure and highquality die cast aluminum-alloy case, the product has accuracy and reliability measurement under 1.5 bar operation pressure. Designing and producing meticulously, test strictly for GA serials gas meter which suitable for NG, LPG, Town gas, marsh gas measuring.



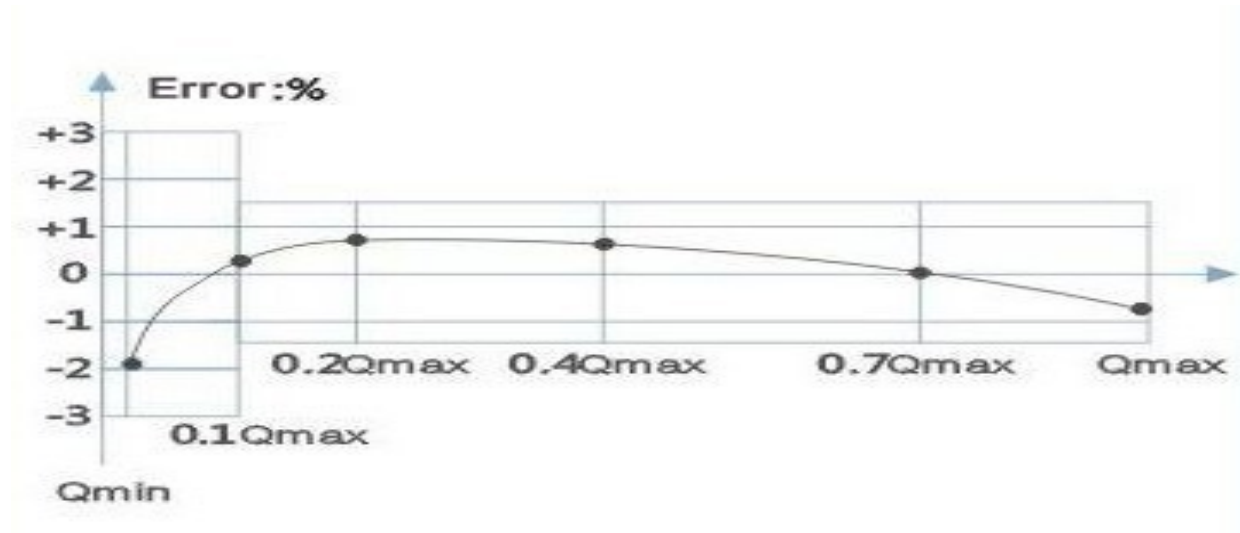
Features:

- Upper case and lower case made by high quality die cast aluminum-alloy.
- Surface spray-paint protects from corrosion.
- Use high-quality bake lite rotary valve.
- Diaphragm made by advance gluing and vulcanization process
- Aluminum case can be recycled, environmental-friendly
- Broad metrological performance: G1.6.
- High accuracy, long service life with reliability.
- Lower noise.
- AMR optional

Main specifications:

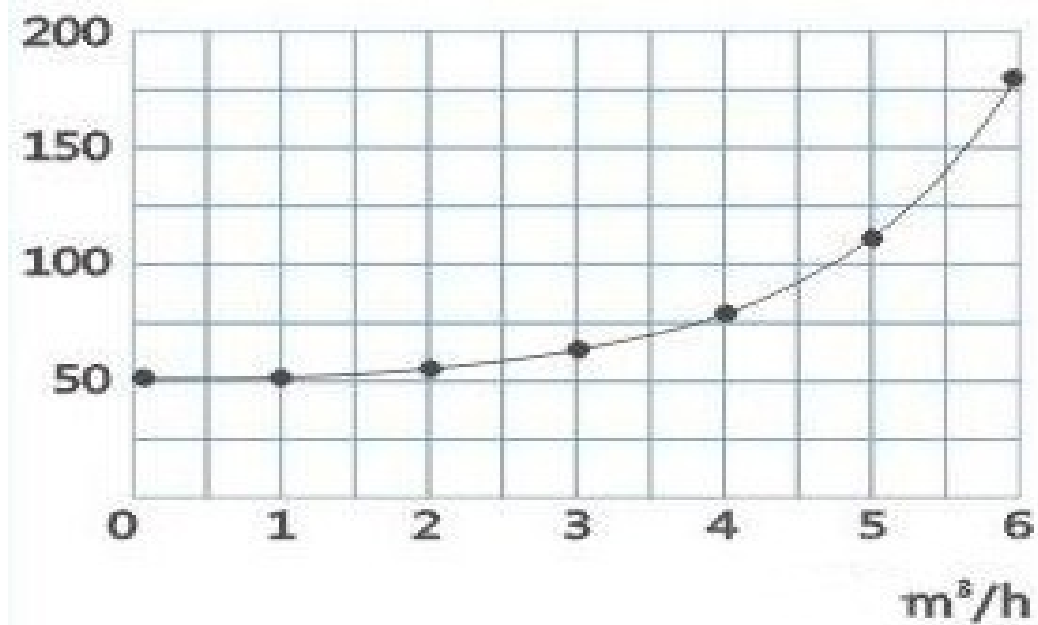
Item	Unit	G1.6	
Nominal flow-rate	m ³ /h	1.6	
Max flow-rate(Qmax)	m ³ /h	2.5	
Min flow-rate(Qmin)	m ³ /h	0.016	
Housing		Aluminum	
Centre distance	mm	110 (90)	
Total pressure absorption	Pa	<200	
Max working pressure	bar	1.0 (up to 1.5)	
Cyclic volume	dm ³	0.8	
Error	Qmin≤Q<0.1Qmax	%	±3
	0.1Qmax≤Q≤Qmax	%	±1.5
Min recording readings	dm ³	0.2	
Max recording readings	m ³	99999.999	
Operation ambient temperature	°C	-20~+60	
Connection threads		M30*2 (By customized)	

Error Curve



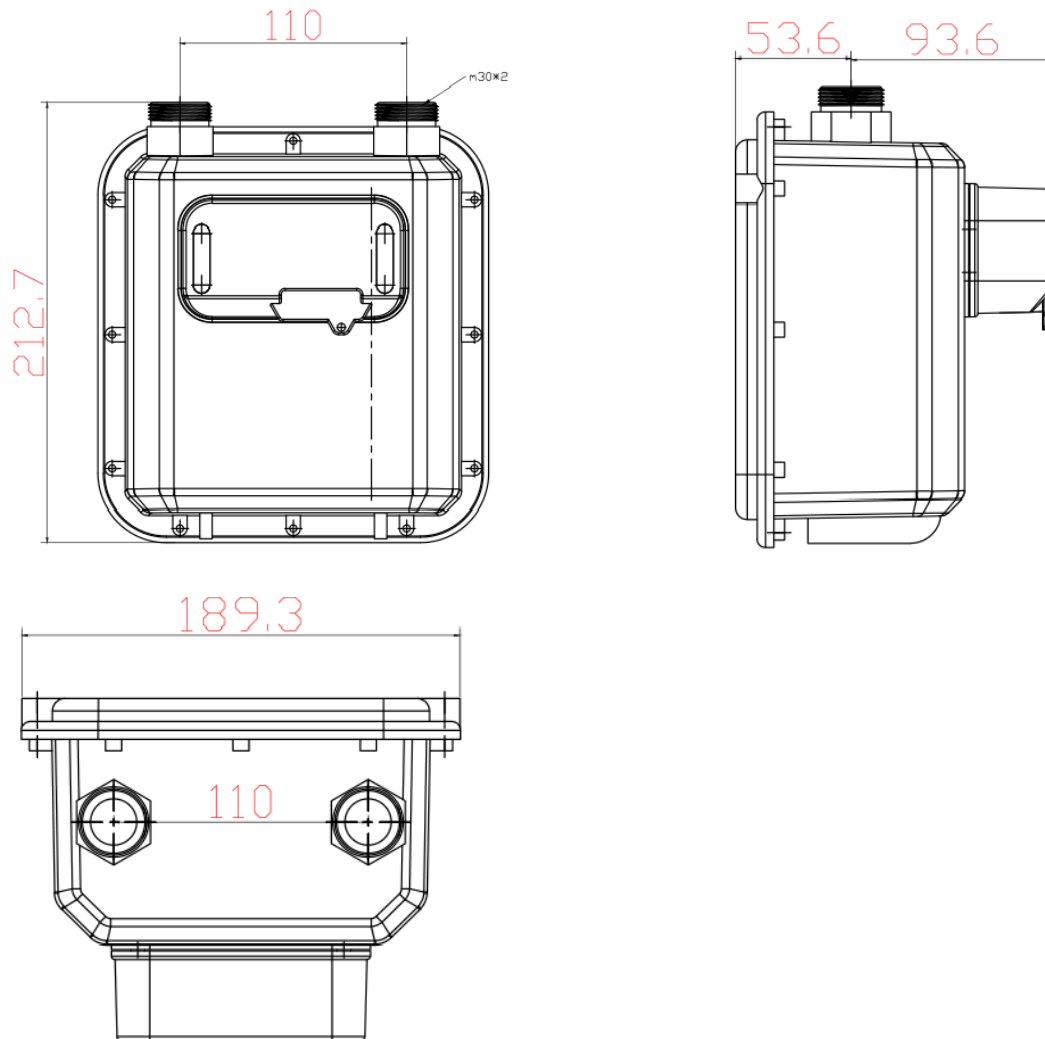
Pressure Loss

Pressure Absorption (Pa)



Dimensions

Model	H	W	D	E	A	Weight
G1.6	212.7mm	189.3mm	53.6mm	147.2mm	110mm (90mm)	1.50kgs



G1.6 model

PT INSTRUMEN KONTROL PRESISI TEKNOLOGI

Email : sales@ikpt-indonesia.com

Website : <http://ikpt-indonesia.co>